

**ebm-papst Mulfingen GmbH & Co. KG**

Bachmühle 2

74673 Mulfingen

Phone: +49 7938 81-0

Fax: +49 7938 81-110

www.ebmpapst.com

info1@de.ebmpapst.com

**Nominal data**

<b>Type</b>	<b>W6D800-GU01-01</b>		
<b>Motor</b>	<b>M6D138-NA</b>		
Phase		3~	3~
Nominal voltage	[V]	400	400
Connection		D	Y
Frequency	[Hz]	50	50
Type of data definition		ml	ml
State		prelim.	prelim.
Valid for approval / standard		CE	CE
Speed	[min <sup>-1</sup> ]	900	700
Power input	[W]	2330	1590
Current draw	[A]	4,85	2.87
Max. back pressure	[Pa]	120	
Max. ambient temperature	[°C]	50	50
Air flow	[m <sup>3</sup> /h]	27500	
Back pressure	[Pa]	0	0
Sound pressure level	[dB(A)]	68	

ml = max. load · me = max. efficiency · rfa = running at free air · cs = customer specs · cu = customer unit  
Subject to alterations

## Technical features

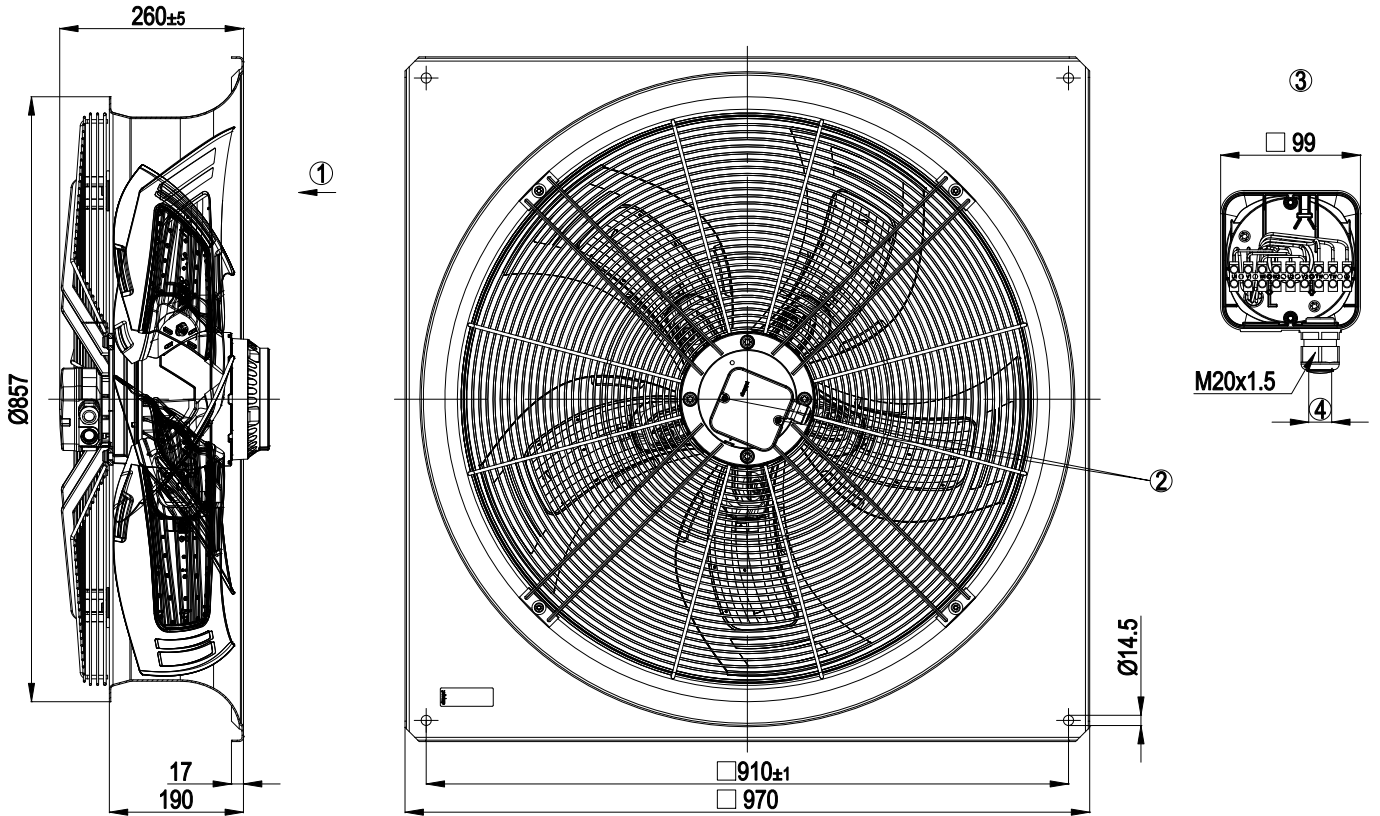
Leakage current	<= 3,5 mA
Size	800 mm
Line	HyBlade®
Operation mode	S1
Direction of rotation	Clockwise, seen on rotor
Mounting position	Shaft horizontal or rotor on bottom; rotor on top on request
Electrical leads	Via terminal box
Humidity class	F3-1
Blade angle	5°
Direction of air flow	"V"
Insulation class	"F"
Cable exit	Axial
Condensate discharge holes	Rotor-side
Bearing motor	Ball bearing
Mass	49 kg
Material of terminal box	ABS plastic, black
Material of blades	Aluminium sheet insert, sprayed with PP plastic
Material of guard grille	Steel, phosphated and coated in black plastic
Material of wall ring	Sheet steel, pre-galvanised and coated in black plastic
Motor protection	Thermal overload protector (TOP) brought out
Product conforming to standard	CE; EN 61800-5-1
Surface of rotor	Cast in aluminium
Number of blades	5
Type of protection	IP 54
Protection class	I
Max. permissible ambient motor temp. (transp./ storage)	+ 80 °C
Min. permissible ambient motor temp. (transp./storage)	- 40 °C
Approval	VDE

# AC axial fan - HyBlade®

sickled blades (S series)

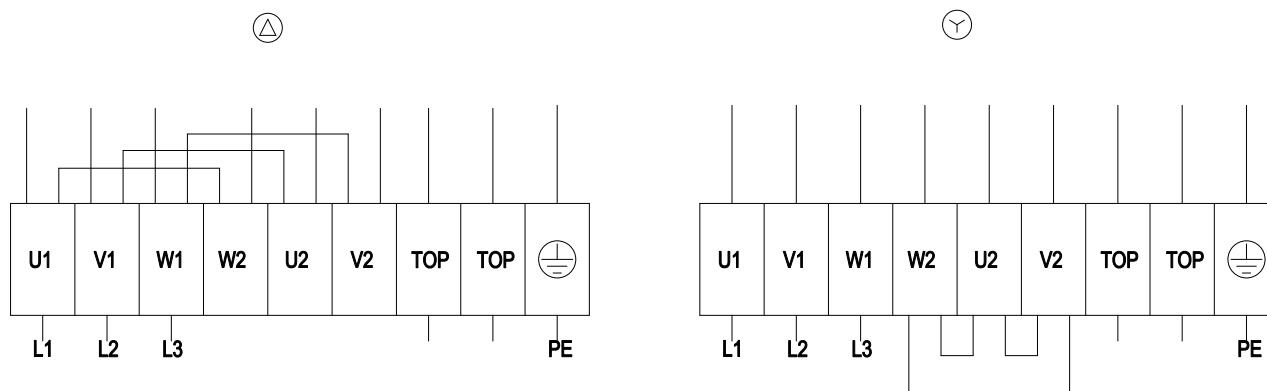
with full square nozzle

## Product drawing



1	Direction of air flow "V"
2	Tightening torque $0.8 \pm 0.3$ Nm
3	Illustration without terminal box cover
4	Cable diameter: min. 7 mm, max. 14 mm; tightening torque: $2 \pm 0.15$ Nm

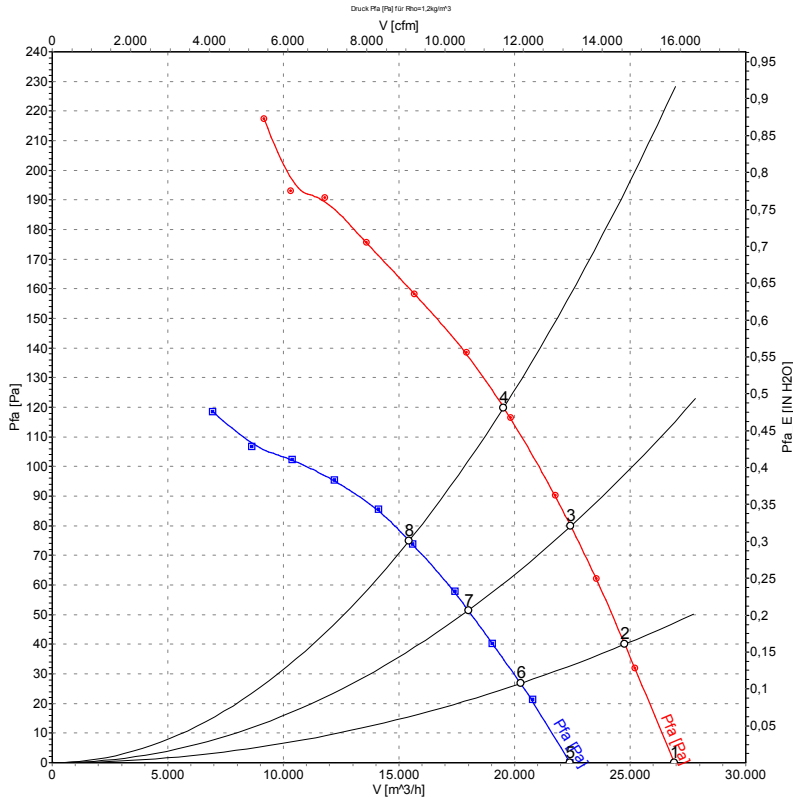
## Connection screen



Note: Direction of rotation changes when two phases are reversed

Δ	Delta-connection	Y	Star connection	L1	= U1 = black
L2	= V1 = blue	L3	= W1 = brown	W2	yellow
U2	green	V2	white	TOP	2 x grey
PE	green / yellow				

## Charts: Air flow 50 Hz



Measurement: LU-113289  
Measurement: LU-113294

## Measured values

	Conn.	U	f	n	P <sub>1</sub>	I	LpA <sub>ss</sub>	LpA <sub>ds</sub>	LwA <sub>ss</sub>	LwA <sub>ds</sub>	Ṃ	P <sub>fa</sub>
		[V]	[Hz]	[min <sup>-1</sup> ]	[W]	[A]	[dB(A)]	[dB(A)]	[dB(A)]	[dB(A)]	[m³/h]	[Pa]
1	Δ	400	50	925	1868	4.51	67	70	74	75	26920	0
2	Δ	400	50	920	1988	4.59	67	63	74	74	24770	40
3	Δ	400	50	910	2103	4.69	68	60	74	74	22430	80
4	Δ	400	50	900	2330	4.85	69	60	76	75	19530	120
5	Y	400	50	765	1336	2.47	62	63	69	69	22380	0
6	Y	400	50	750	1391	2.58	62	57	69	68	20260	27
7	Y	400	50	735	1443	2.68	62	54	69	68	18000	52
8	Y	400	50	720	1476	2.76	63	54	70	69	15440	75