

# RADIAL FANS

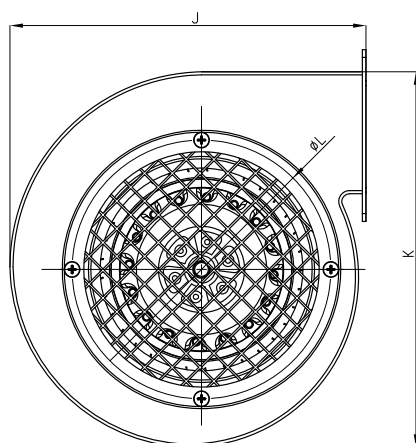
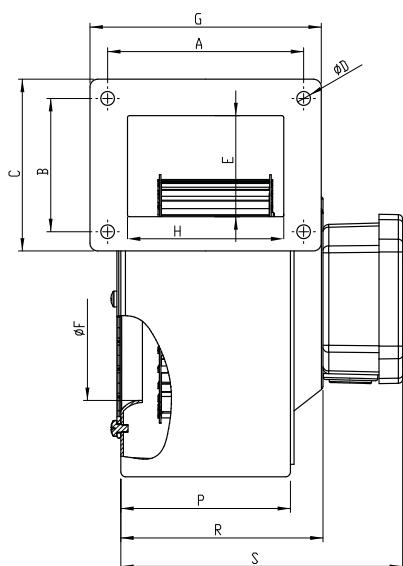


## BDRS

### AC CENTRIFUGAL BLOWERS Sheet Metal Body

BDRS Single Inlet blower's compact structure benefits space saving for various cooling and ventilation applications.

### Technical Drawings



#### MATERIAL

: Housing is electrostatic powder coated sheet steel. Impeller is forward curved, galvanized.

#### INSULATION CLASS

: Class B

#### DIRECTIVE

: EN 60335-1, EN 60335-2-80

#### SPEED CONTROL

: Speed can be adjusted using an optional controller.  
(BSC-1 / BSC-2)

#### APPLICATION AREAS

: The BDRS centrifugal fan series are perfect to use in industrial and commercial environments, mainly for local cooling applications, blowing in heating systems. Machines cooling, boilers, yacht air conditioning, dc motor cooling, plastic machines, sock machines, electric board cooling, laboratories, residential and industrial areas etc.



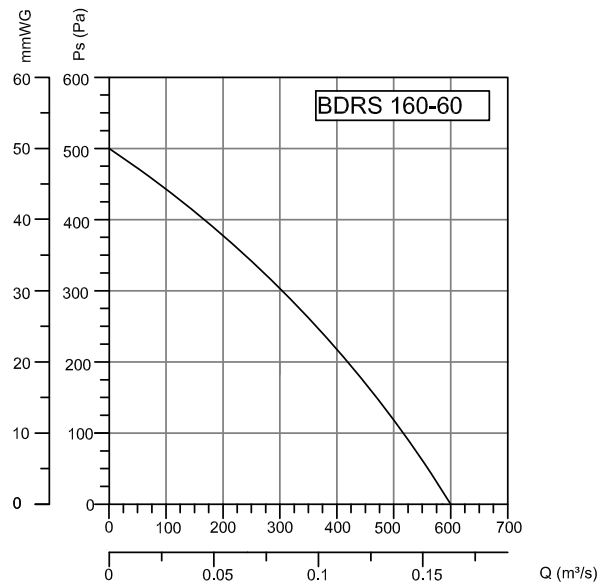
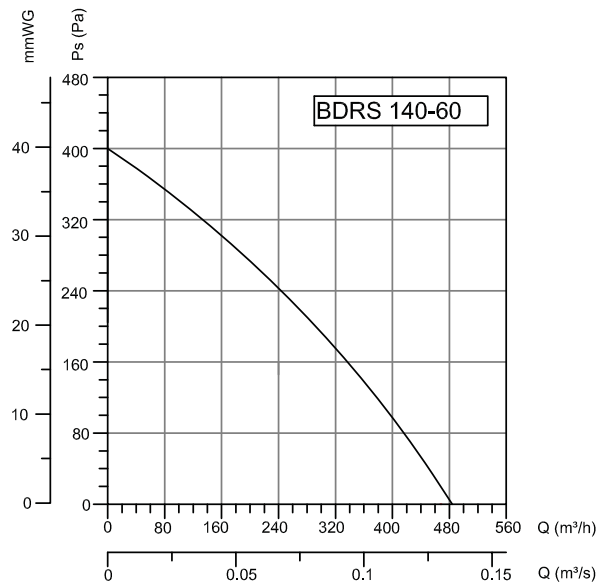
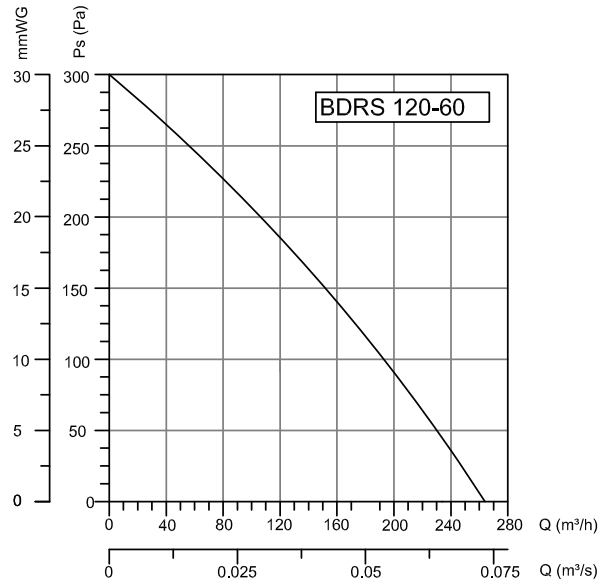
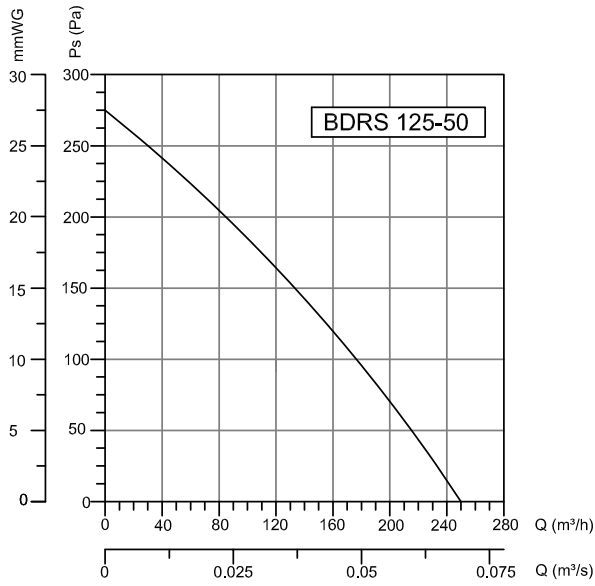
### Accessories



### BSC

TYPE	A	B	C	D	E	F	G	H	J	K	L	P	R	S
BDRS 125-50	72	77	88	5	62	98	86	66	170	180	128	66	68	94
BDRS 120-60	98.5	69.5	100	6	67.5	97.5	115.5	81	173	183	133	83	93	134
BDRS 140-60	112	112	129.3	6.5	91.5	112	129	83.5	206	216	151	86	92	133
BDRS 160-60	112	112	129.3	6.5	92.5	130	129	84	270	260	165	94	100	141

Dimensions are in (mm)



TYPE	VOLTAGE	FREQUENCY	POWER	CURRENT	CAPACITOR	SPEED	AIR FLOW	SOUND PRESSURE LEVEL	WEIGHT
	V	Hz	W	(A)	(µF)	d/d	m³/h	dB(A)	kg
BDRS 125-50	230	50	85	0,38	2,5	2285	250	65	2,1
BDRS 120-60	230	50	90	0,4	2,5	2325	275	66	2,3
BDRS 140-60	230	50	140	0,6	4	2215	485	70	2,9
BDRS 160-60	230	50	205	0,8	5	2000	600	74	4



## AORB CENTRIFUGAL BLOWERS - SHEET METAL HOUSING

### Fan Components and Material Properties

AORB centrifugal fans have low noise, high pressure properties. Body is made of electrostatic powder coated sheet metal. They save space thanks to their compact structure. It is lightweight and easy to assemble. The motor and fan impeller are connected to the main body by steel carriers. Device max. It is capable of carrying air at a temperature of 40°C.

### Benefits

It works with low noise levels and is designed to be maintenance-free for long periods of time. Because of both suction and shooting capability, it is possible to dispose of the polluted air in the environment and fresh air to the environment. Can be mounted at the desired angle. Speed can be adjusted with speed control devices. Protection grill is available in fan suction.

### Usage Areas

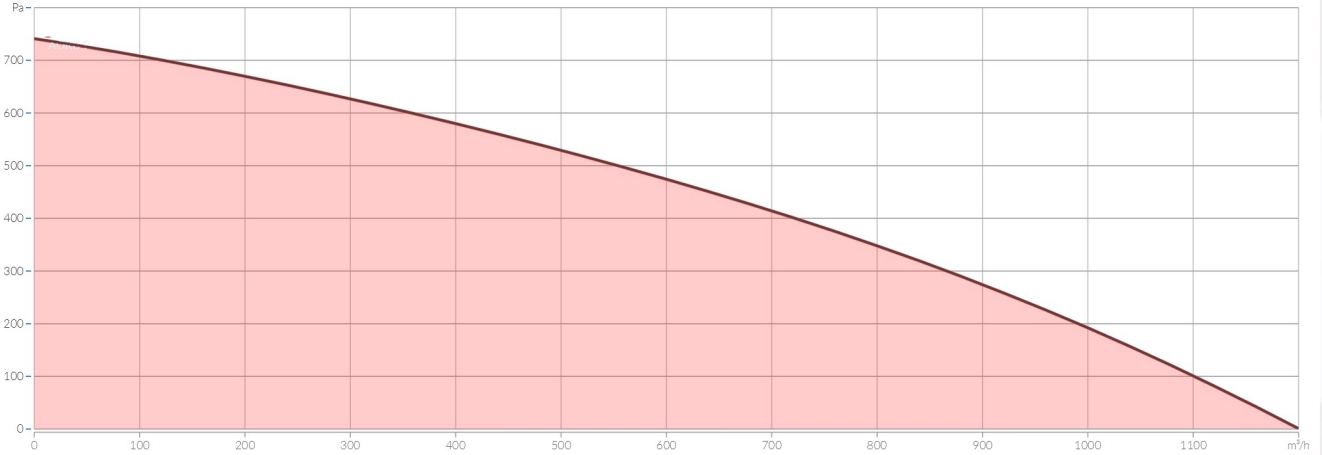
The AORB fan is compact in size, providing space saving for a wide range of ventilation and cooling applications. It produces higher flow rates than other fans in its segment. It is installed in solid fuel boilers and transmits the fresh air required for combustion to the combustion chamber.

### Fan Structure

The forward inclined fan wheel is made of high quality galvanized steel that is resistant to corrosion and is manufactured in an aerodynamic manner to ensure regular flow. Thanks to its aerodynamic wing structure, it works quietly. Protection grille in fan suction. The fan is made of high quality galvanized steel resistant to corrosion.

### Speed Control

Optional control devices can be provided.  
\* Speed control can be done with linear voltage regulator (see BSC accessory).





Frequency

50Hz

60Hz

Filter i

Model	Q <sub>max</sub> m³/h	Δp <sub>max</sub> Pa	P <sub>nom</sub> W	I <sub>nom</sub> A	~	U <sub>nom</sub> V	p	n <sub>nom</sub> min-1	L <sub>PA</sub> dB(A)	t <sub>OPER</sub> max °C	ØD <sub>nom</sub> mm	AxB <sub>nom</sub> mmxmm	m kg
 AORB M	1200	740	575	2.70	1	230	2	2450	58	40	122	120x105	8.7
 AORB T	1200	740	415	0.78	3	400	2	2750	58	40	122	120x105	8.7